



Sharbell Building Company LLC

SUMMARY SELECTION SHEET

HOUSE NUMBER: 02575150
DEVELOPMENT: IA-Vintage at Hamilton (IA)
LOT NUMBER: 47.150
BUYER'S NAME: SPEC, Spec
BUYER'S EMAIL:
JOB ADDRESS: 14 Kay Chiarello Way

SUPERINTENDENT:
SUPER PHONE: ( ) -
SUPER EMAIL:

PHONE:
PERMIT NUMBER:
WO STAGE: 6
PO STAGE: 5

( ) SALES SUPPORT | CONSTR SUPPORT ( )
( ) SALES MANAGER | CONSTR MANAGER ( )
ATTACHMENT:( ) FACADE ( ) FLOOR PLANS ( ) OTHER

START:
SUPERCEDES START:

- #001 - structural
#002 - electric
#003 - full selections (missing std LVT selection)
#004 - LVT selections

Table with 3 columns: CHANGE ORD, DATE, ACCEPTED. Rows include change orders 001 through 004 with their respective dates and acceptance dates.

Table with 8 columns: COMPANY, DEV, HOUSE, BLOCK, LOT, MODEL/ELEVATION, RELEASED, ORIENT. Row 1: 005, IA, 02575150, 2575, 47.150, 001-Asti (A) 3 -Elev. 3, 07/31/23, Per Plan

Table with 3 columns: QTY, OPTION, DESCRIPTION/TAG. Includes categories like 'No Category Selected', 'Structural', and 'Plumbing Faucets' with specific item details and descriptions.



**Sharbell Building Company LLC**

SUMMARY SELECTION SHEET

**HOUSE NUMBER:** 02575150

**DEVELOPMENT:** IA-Vintage at Hamilton (IA)

**LOT NUMBER:** 47.150

**BUYER'S NAME:** SPEC, Spec

**BUYER'S EMAIL:**

**JOB ADDRESS:** 14 Kay Chiarello Way

**PHONE:**

**SUPERINTENDENT:**

**SUPER PHONE:** ( ) -

**SUPER EMAIL:**

QTY	OPTION	DESCRIPTION/TAG
		2ND FLOOR BATHROOM Align Single Handle Brushed Nickel M6190
		<b>Plumbing Fixtures</b>
1	23600	Kitchen Sinks KITCHEN Zuhne 30" Single Bowl
		<b>Electric</b>
14	36001	RECESSED LIGHT (6) Gathering Room, (8) Loft
5	38003	Braced Outlet for fan & light with single switch for independent operation of fan & light with aftermarket switch Gathering, Owner, Study, Bed 2, Bed 3
		<b>Cabinets</b>
1	71090	Kitchen Cabinets (standard layout - range) KITCHEN Standard Cabinets Wolf Hanover Door in White Paint
1	71110	Master Bath Cabinets MASTER BATH Standard Cabinets Wolf Hanover Door in White Paint
1	71130	2nd Floor Bathroom Cabinets 2ND FLOOR BATHROOM Standard Cabinets Wolf Hanover Door in White Paint
1	71255	Standard Drop Zone base cabinets (part of base house). (If drop zone wall cabinets are also selected, only choose option #71265) Wolf Hanover Door in White Paint
		<b>Cabinet Accesories</b>
1	71322	Upgrade Standard Kitchen Layout Hardware Level 2 Top Knobs TK943BSN in Brushed Satin Nickel of Doors and Drawers
1	71350	Upgrade Master Bath Hardware Level 1 Top Knobs TK941BSN in Brushed Satin Nickel of Doors and Drawers
1	71370	Upgrade Hall Bath Hardware Level 1 Top Knobs TK941BSN in Brushed Satin Nickel of Doors and Drawers
		<b>Counter Tops</b>
1	73994	Kitchen Countertops (standard layout - range)



Sharbell Building Company LLC

SUMMARY SELECTION SHEET

HOUSE NUMBER: 02575150

DEVELOPMENT: IA-Vintage at Hamilton (IA)

LOT NUMBER: 47.150

BUYER'S NAME: SPEC, Spec

BUYER'S EMAIL:

JOB ADDRESS: 14 Kay Chiarello Way

PHONE:

SUPERINTENDENT:

SUPER PHONE: ( ) -

SUPER EMAIL:

QTY	OPTION	DESCRIPTION/TAG
		<b>KITCHEN</b> Silestone Miami Vena, 1/4 Bevel Edge (include 4 inch backsplash)
1	74013	Master Bath Cultured Marble Tops
		<b>MASTER BATH</b> Standard Cultured Marble CM3B Solid White with wave bowl sink
1	74016	2nd Floor Bath Cultured Marble Tops
		<b>2ND FLOOR BATHROOM</b> Standard Cultured Marble CM3B Solid White with wave bowl sink
<b>Flooring</b>		
1	82050	Carpeting in rooms that come with carpet std.
		<b>STUDY</b> Carpeting Not Selected
		<b>MASTER BEDROOM</b> Level 2 Carpet Mohawk Enriched Texture II Distant Thunder 810
		<b>LOFT</b> Standard Carpeting Mohawk Seismic Winter Ash 945
		<b>BEDROOM 2</b> Standard Carpeting Mohawk Seismic Winter Ash 945
		<b>BEDROOM 3</b> Standard Carpeting Mohawk Seismic Winter Ash 945
1	83090	Laminate/LVT Floors in Rooms that come with Laminate/LVT Standard
		<b>FOYER</b> Standard Laminate/LVT Shaw Emergence Plus Dawn 7721
		<b>KITCHEN</b> Standard Laminate/LVT Shaw Emergence Plus Dawn 7721
		<b>DINING ROOM</b> Standard Laminate/LVT Shaw Emergence Plus Dawn 7721
		<b>GATHERING ROOM</b> Standard Laminate/LVT Shaw Emergence Plus Dawn 7721
		<b>POWDER ROOM</b> Standard Laminate/LVT Shaw Emergence Plus Dawn 7721
		<b>LAUNDRY ROOM</b> Standard Laminate/LVT Shaw Emergence Plus Dawn 7721



**Sharbell Building Company LLC**

SUMMARY SELECTION SHEET

**HOUSE NUMBER:** 02575150

**DEVELOPMENT:** IA-Vintage at Hamilton (IA)

**LOT NUMBER:** 47.150

**BUYER'S NAME:** SPEC, Spec

**BUYER'S EMAIL:**

**JOB ADDRESS:** 14 Kay Chiarello Way

**PHONE:**

**SUPERINTENDENT:**

**SUPER PHONE:** ( ) -

**SUPER EMAIL:**

QTY	OPTION	DESCRIPTION/TAG
1	83095	<b>DROP ZONE</b> Standard Laminate/LVT Shaw Emergence Plus Dawn 7721 Laminate/LVT Floors in Rooms that DO NOT come with Laminate/LVT Standard <b>STUDY</b> Standard Laminate/LVT Shaw Emergence Plus Dawn 7721
1	80014	<b>Tile</b> Ceramic Tile - Master Bath <b>MASTER BATH</b> Level 2 Tile Elect EL32 12x24, 1/3 Offset Floor, Vertical Stacked Wall
1	80083	Ceramic Tile - 2nd Floor Bath <b>2ND FLOOR BATHROOM</b> Level 1 Tile Cabris Iron CS23 12x12 straight joint floor, FL90 3x6 gloss white brick joint wall
3	77216	<b>Bath Accessories</b> Bath Accessories: Moen Align - Paper Holder/24" Towel Bar/Towel Ring - Brushed Nickel Master Bath, Bath 2, Powder Room
1	77235	Upgrade Shower Door to Brushed Nickel Master Bath Standard Clear glass full frame door

**STANDARD SELECTIONS**

Kitchen Sink	Zuhne 30" Single Bowl
Kitchen Faucet	Moen Align 7565SRS Pull Down Spot Resistant Stainless
Master Fixture Color	WHITE
Master Bath Faucet	Align 6190BN Single Handle Brushed Nickel
Powder Room Fixture	American Standard Evolution Single Hole Pedestal Sink in White
Powder Room Faucets	Align 6190BN Single Handle Brushed Nickel
2nd Flr Bath Fixture	WHITE
2nd Flr Bath Faucets	Align 6190BN Single Handle Brushed Nickel
Bsmt Bar Faucet	
Bsmt Bar Sink	
Bsmt Bath Fixture	
Bsmt Bath Faucets	
Interior Rail Stain	Minwax 270 Weathered Oak
Kitchen Cabinets	Wolf Hanover Door in White Paint
Master Cabinets	Wolf Hanover Door in White Paint
Powder Room Cabinet	



Sharbell Building Company LLC

SUMMARY SELECTION SHEET

HOUSE NUMBER: 02575150

DEVELOPMENT: IA-Vintage at Hamilton (IA)

LOT NUMBER: 47.150

BUYER'S NAME: SPEC, Spec

BUYER'S EMAIL:

JOB ADDRESS: 14 Kay Chiarello Way

PHONE:

SUPERINTENDENT:

SUPER PHONE: ( ) -

SUPER EMAIL:

STANDARD SELECTIONS

2nd Flr Bath Cabinet	Wolf Hanover Door in White Paint
Bsmt Bath Cabinet	
Drop Zone Base Cab	(Base Only) Wolf Hanover Door in White Paint
Kitchen Top	Silestone Miami Vena, 1/4 Bevel Edge with 4" Backsplash
Master Bath Top	Cultured Marble CM3B Solid White with wave bowl sink
Powder Room Top	
2nd Floor Bath Top	Cultured Marble CM3B Solid White with wave bowl sink
Bsmt Bath Top	
Bsmt Bar Top	
Drop Zone Top	Formica Folkstone 927-58 Matte
Master Bath Tile	Elect EL32 12x24, 1/3 Offset Floor, Vertical Stacked Wall
Second Flr Bath Tile	Cabris Iron CS23 12x12 straight joint, FL90 3x6 gloss white brick joint wall
Basement Bath Tile	
Carpet	MB- Enriched Texture II Distant Thunder 810, Lo,B2,B3- Seismic Winter Ash 945
Hardwood	
LVP	LAMINATE: Fo,Ki,Di,Ga,St,DZ,La,PR - Shaw Emergence Plus Dawn 7721
Fireplace Mantel	
Fireplace Surround	
Shower Doors	MB- Standard Clear glass full framed door in brushed nickel
Appliance Package	Standard Kitchen Standard Appliance Package
Kitchen Cab Hardware	Topknobs TK943BSN
Bathroom Hardware	MB,B2 - Topknobs TK941BSN
Drop Zone Hardware	Standard Brushed Nickel Knob
Bsmt Bar Hardware	
Siding	
Roofing	
Stone	
Front Door	
Notes	
Notes	
Notes	
Notes	

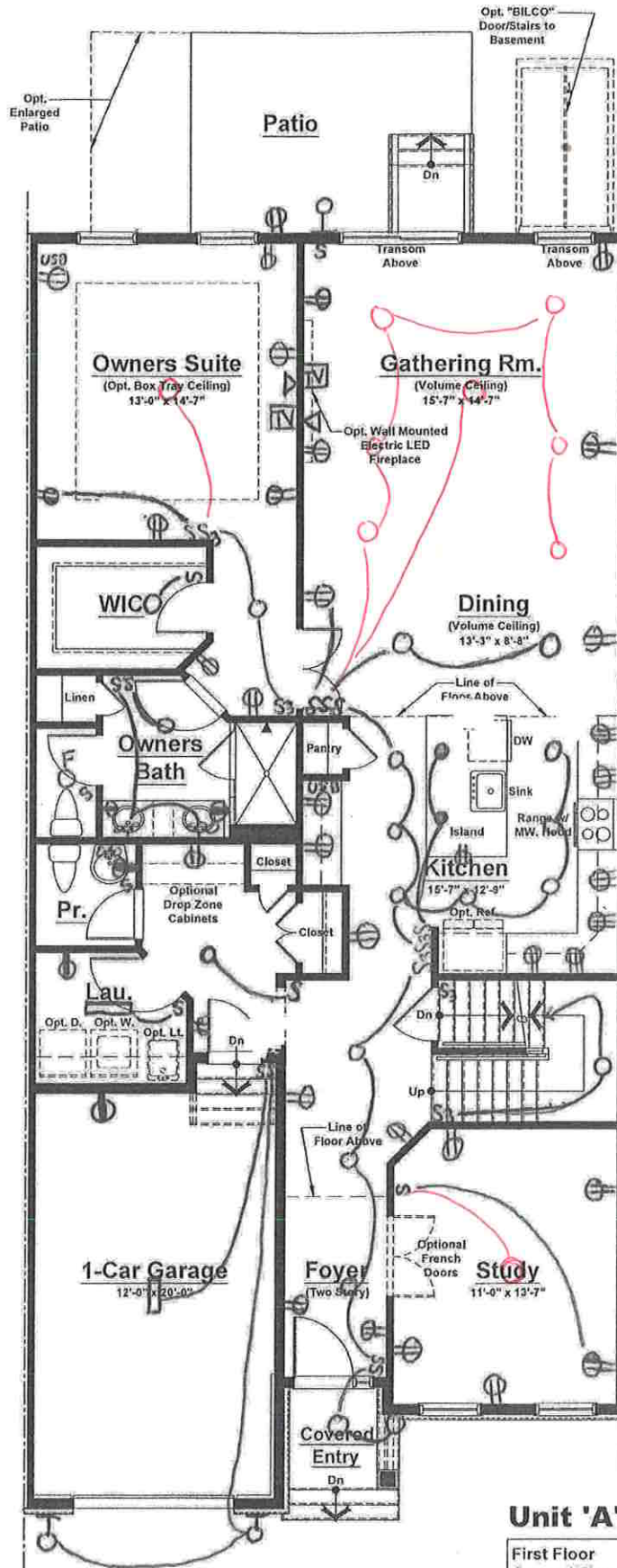
VN Lot 150  
Optional  
Electric

Recessed

(6) Gathering  
(8) Loft

Braced outlet

Gathering  
Owner's Bed  
Study  
Bed 2  
Bed 3



- ⊕ = outlet
- ⊕ = GFI outlet
- ⊕ = Floor outlet
- S = switch
- = Recessed light
- ⊙ = Keyless
- = Pendant light
- E = Exhaust fan
- ⊕ = light combo
- △ = CAT 6

Standard Electrical Plan. Locations are approximate and can not be changed.

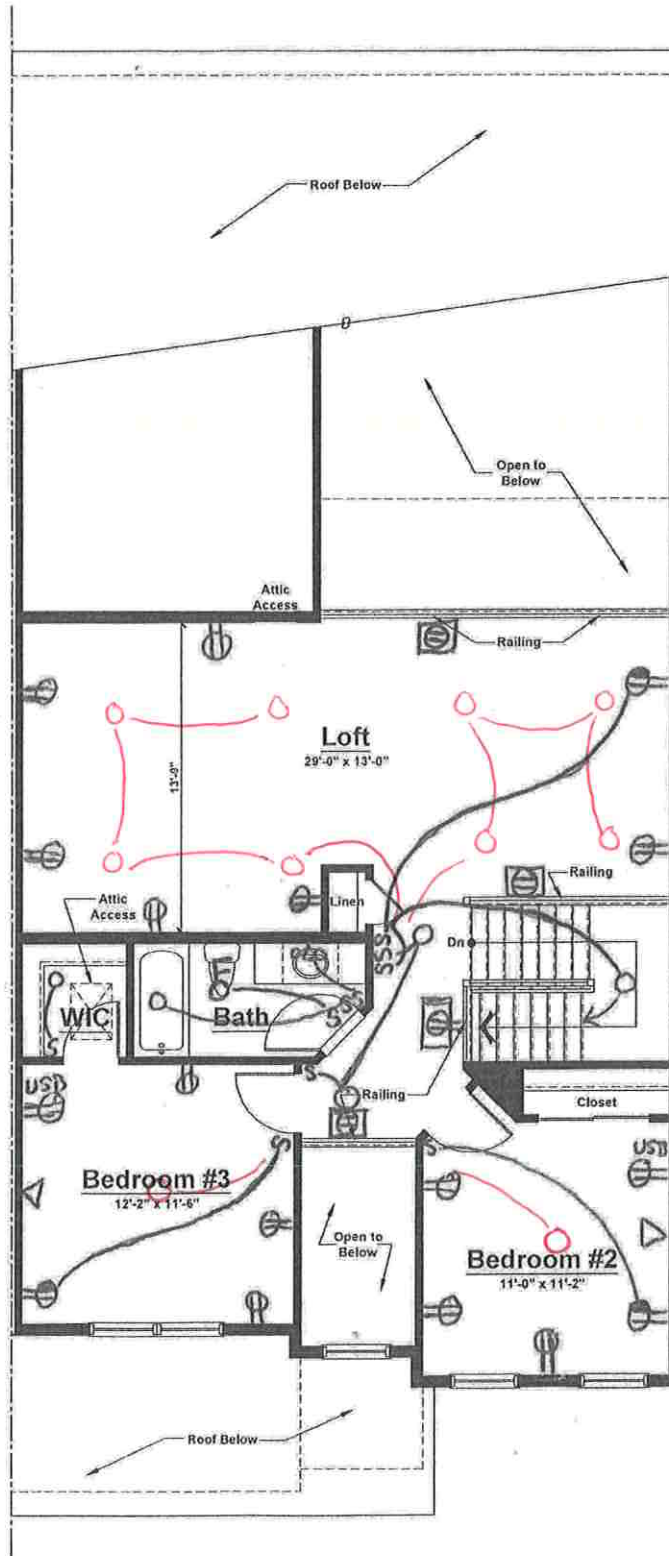
**Unit 'A' - First Floor Plan**  
Elevation #1

**Unit 'A' (Int. Unit)**

First Floor	1,538 sq. ft.
Second Floor	882 sq. ft.
Total	2,420 sq. ft.
Garage	266 sq. ft.

VN Lot 150  
Optional  
Electric

- ⊕ = outlet
- ⊕ = GFI outlet
- ⊕ = Floor outlet
- S = switch
- = Recessed light
- = Keyless
- = Pendant light
- ⊕ = Exhaust fan
- light combo
- Δ = CAT 6

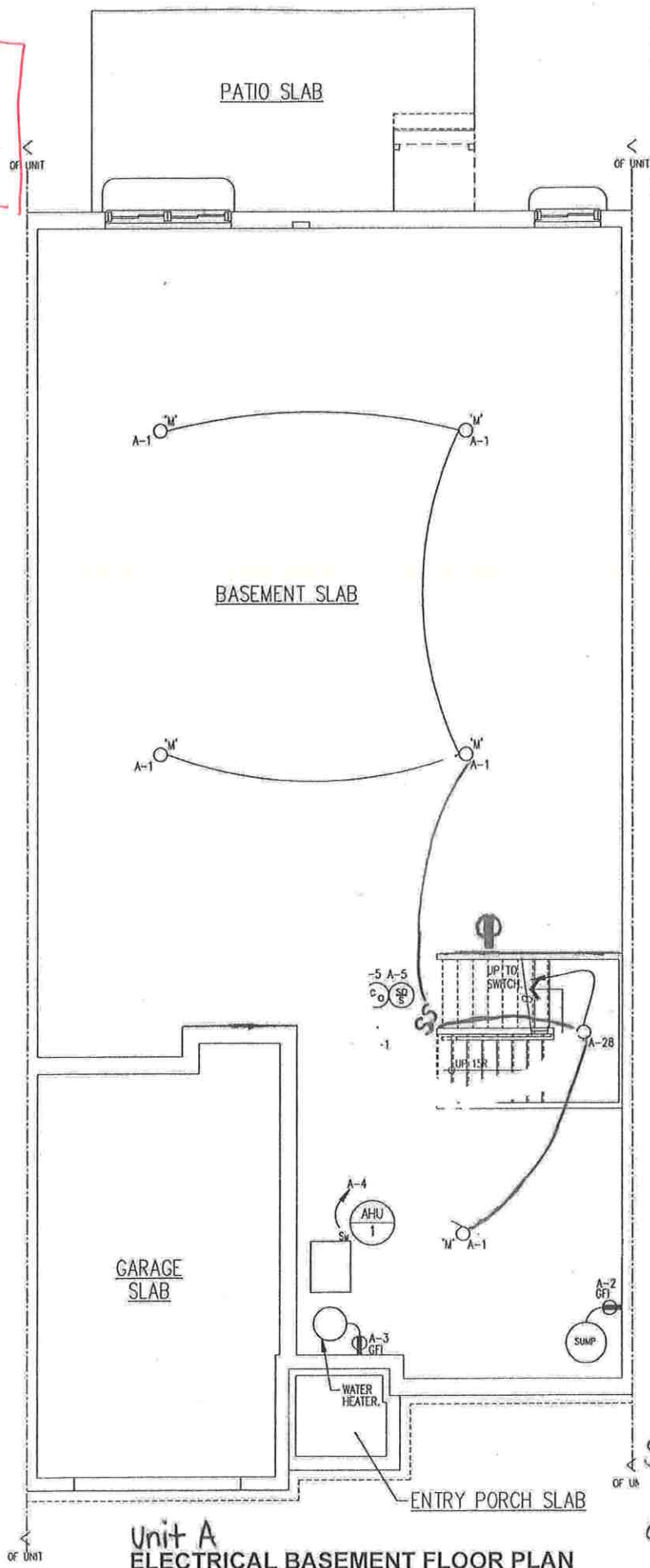


Unit 'A' - Second Floor Plan  
Elevation #1

Standard Electrical Plan. Locations are approximate and can not be changed.

VN lot 150  
Optional  
electric

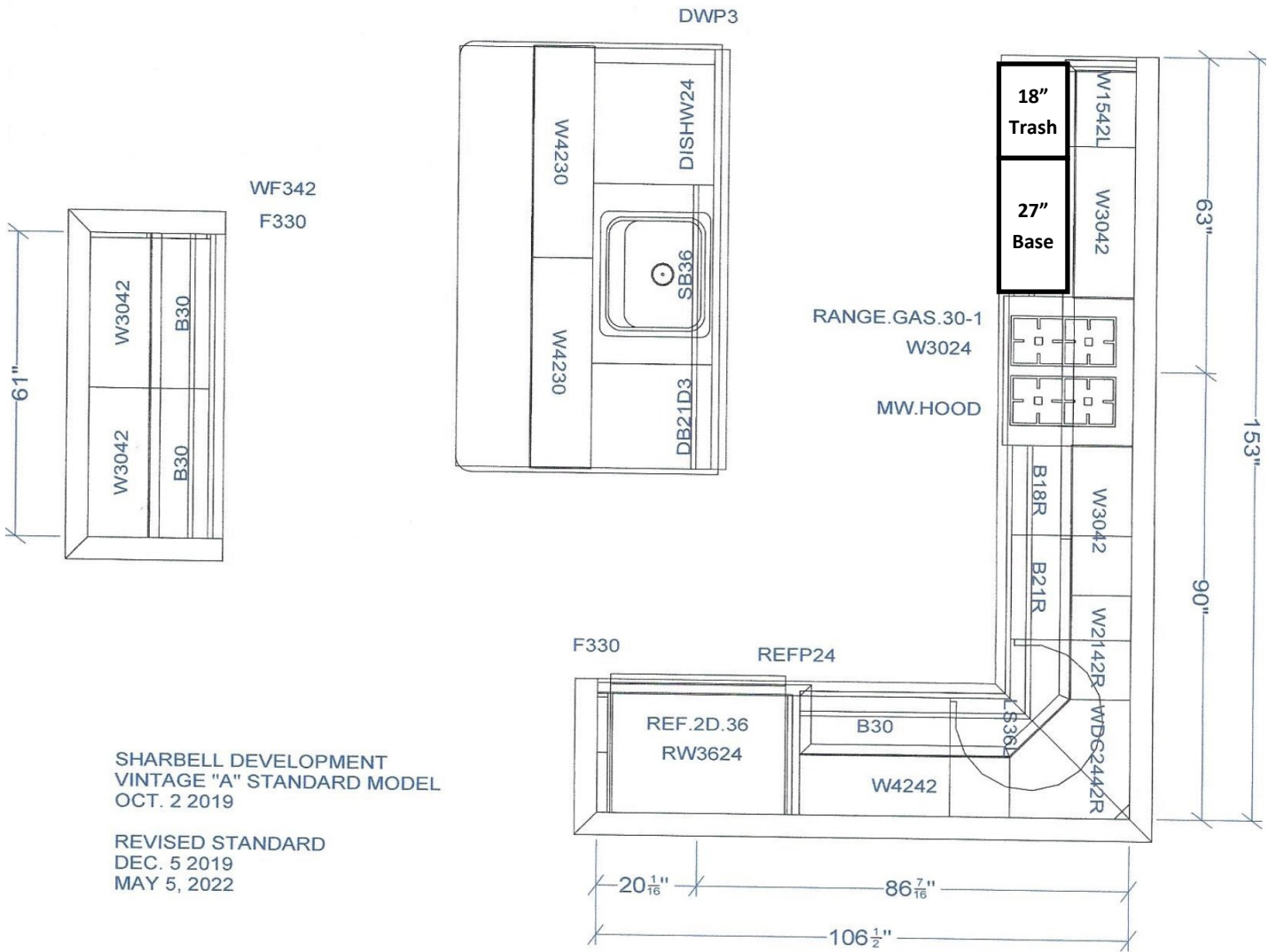
- ⊕ = outlet
- ⊕ = GFI outlet
- ⊕ = Floor outlet
- S = switch
- = Recessed light
- ⊕ = Keyless
- = Pendant light
- ⊕ = Exhaust fan light combo
- Δ = CAT u



Unit A  
ELECTRICAL BASEMENT FLOOR PLAN  
SCALE: 1/4" = 1'-0"

Standard Electrical Plan. Locations are approximate and can not be changed.





SHARBELL DEVELOPMENT  
 VINTAGE "A" STANDARD MODEL  
 OCT. 2 2019

REVISED STANDARD  
 DEC. 5 2019  
 MAY 5, 2022

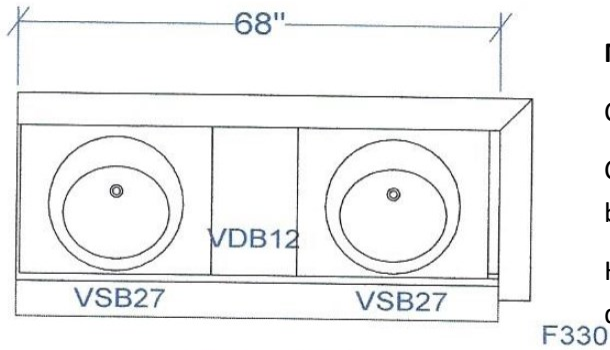
**VN Lot 150—A Model Elev. 3**

Cabinets: Wolf Hanover Door in White Paint

Countertop: Silestone Miami Vena, 1/4 Bevel Edge (with 4" backsplash)

Hardware: Topknobs TK943BSN in Brushed Satin Nickel on doors and drawers

**VN Lot 150—A Model Elev. 3**



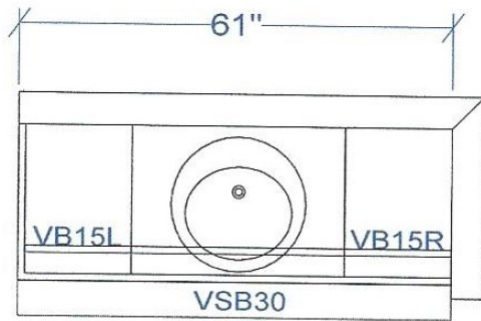
MASTER BATH

**Master Bath:**

Cabinets: Wolf Hanover Door in White Paint

Countertop: Cultured Marble CM3B Solid White with wave bowl sink

Hardware: Topknobs TK941BSN in Brushed Satin Nickel on doors and drawers



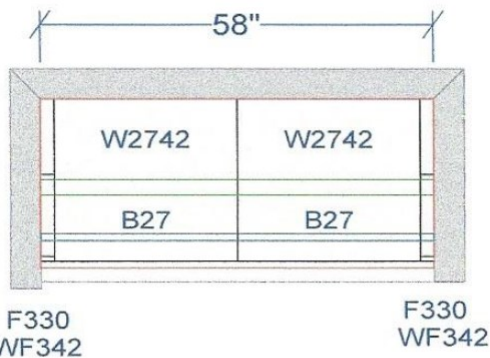
MAIN BATH

**Main Bath / Bath 2:**

Cabinets: Wolf Hanover Door in White Paint

Countertop: Cultured Marble CM3B Solid White with wave bowl sink

Hardware: Topknobs TK941BSN in Brushed Satin Nickel on doors and drawers



DROP ZONE CABS

BASE CABS STANDARD

WALL CABS OPTIONAL

**Drop Zone:**

Cabinets: (Base Only) Wolf Hanover Door in White Paint

Countertop: Formica Folkstone 927-58 Matte

Hardware: Standard Brushed Nickel Knob